

# D750-100/200 Series Tiltmeter RS485 Digital Output



**Jewell  
Instruments**

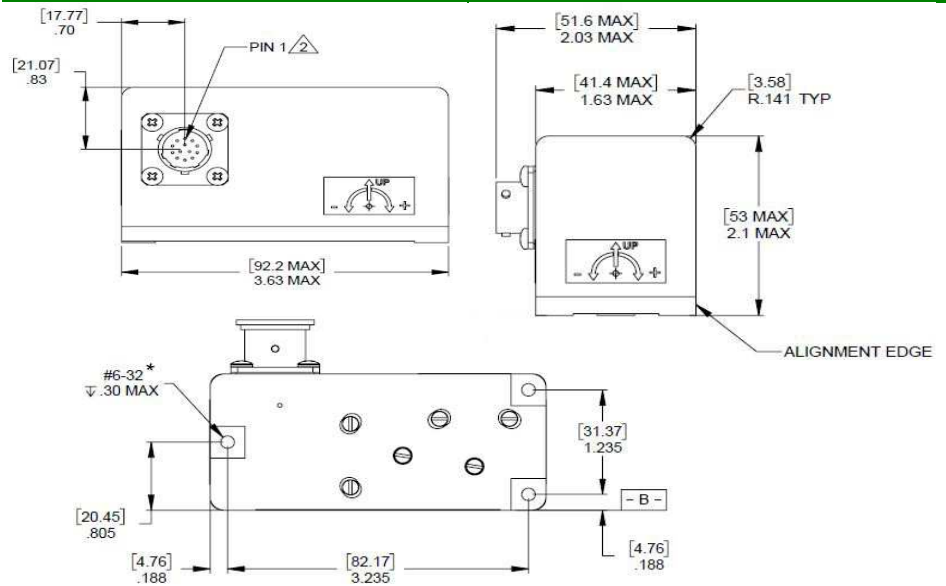
*Making Sense out of Motion...*

The Jewell D750-100 (Single Axis) and D750-200 (Dual Axis) Black Diamond Tiltmeter series are fluid damped inclinometers with RS485 digital output



The Jewell **D750-100/200 Series** is the digital version of the Black Diamond tilt sensor line for geotechnical measurement. It features a 0.001° resolution with RS485 digital output signal

Outline Diagram: D750-100/200 Series Digital Tiltmeter



\*Also available in M6 metric through holes

## Features & Benefits

- Digital output
- Resolution 0.001°
- Mechanical Shock 1500g 1msec 1/2 sine
- Industry Standard EIA RS485
- For use in high shock and vibration environments
- High Precision and Performance
- Low Noise

## Applications

- Radar/Antenna Control
- Structural Monitoring
- Seismic Monitoring
- Platform Leveling
- Lab Testing & Research

## Pin Out:

CONN. PIN	FUNCTION
1	FACTORY USE
2	FACTORY USE
3	CASE GROUND
4	+SERIAL PORT
5	-SERIAL PORT
6	FACTORY USE
7	FACTORY USE
8	FACTORY USE
9	FACTORY USE
10	FACTORY USE
11	PWR RTN
12	+PWR
13	FACTORY USE

Jewell Instruments LLC, 850 Perimeter Road, Manchester, NH 03103  
sales@jewellinstruments.com • www.jewellinstruments.com • Tel (800) 227-5955

# D750-100/200 Series Tiltmeter

## RS485 Digital Output



**Jewell**  
Instruments

*Making Sense out of Motion...*

### Performance

Input Range <sup>1</sup> , °	±1.0	±3.0	±14.5	±30.0	±60.0
Number of Axis	1,2	1,2	1,2	1,2	1,2
Non Linearity <sup>2</sup> , %FRO, Max	0.02	0.015	0.02	0.02	0.03
Scale Factor Tolerance, % Max	0.05	0.05	0.05	0.05	0.05
Scale Factor Temperature Sensitivity, % reading/°C, Max	0.01	0.01	0.01	0.01	0.01
Output at 0° Tilt, °Max	0.01	0.01	0.05	0.05	0.05
0° Output Temperature Sensitivity, °/°C, Max	0.001	0.001	0.005	0.005	0.005
Bandwidth (-3dB), Hz, Nom <sup>3</sup>	3	6	30	30	30
Transverse Axis Misalignment, °, Max	0.15	0.15	0.5	0.5	0.5
Hysteresis, °, Max	0.001	0.001	0.001	0.001	0.001
Resolution and Threshold, °, Max	0.001	0.001	0.001	0.001	0.001
Power On Repeatability, °Max	0.001	0.001	0.001	0.001	0.001
Repeatability, °Max	0.001	0.001	0.002	0.002	0.003

### Digital Output

Interface	EIA-RS485
Protocol	Proprietary (Custom)
Output Representation	Degrees
Baud Rate <sup>4</sup>	19200, 38400, 57600, 115200, 230400

### Electrical

Supply Voltage, Volts DC	10 to 30
Input Current, mA, Max	Transmitting DXI-100 32 mA & DXI-200 50 mA Not transmitting DXI-100 22 mA & DXI-200 40 mA

### Environmental

Operational Temp Range, °C	-40 to +85
Storage and Temp Range, °C	-40 to +85
Protection Class per IEC 529	IP67
NEMA Enclosure Rating	6
Seal	MILD-STD-202 Method 112
Shock Survival	1500g, 1msec, ½ sine
Vibration Survival, grms (20Hz to 2 KHz)	20

### Enclosure

Housing Material	Anodized and Alodine Aluminum
Weight	DXI-100 8oz [226.80 g]/ DXI-200 10oz [283.50 g]
Connector Type	MS27476Y10D35P
Recommended Mating Connector	MS27473T10B35S

- NOTES:
- 1- Full range is defined as "from negative full input angle to positive full input angle"
  - 2 - Non-linearity is specified as deviation of output referenced to a best fit straight line, independent of misalignment.
  - 3 - In default condition without averaging enabled.
  - 4- Default Baud Rate is 38400

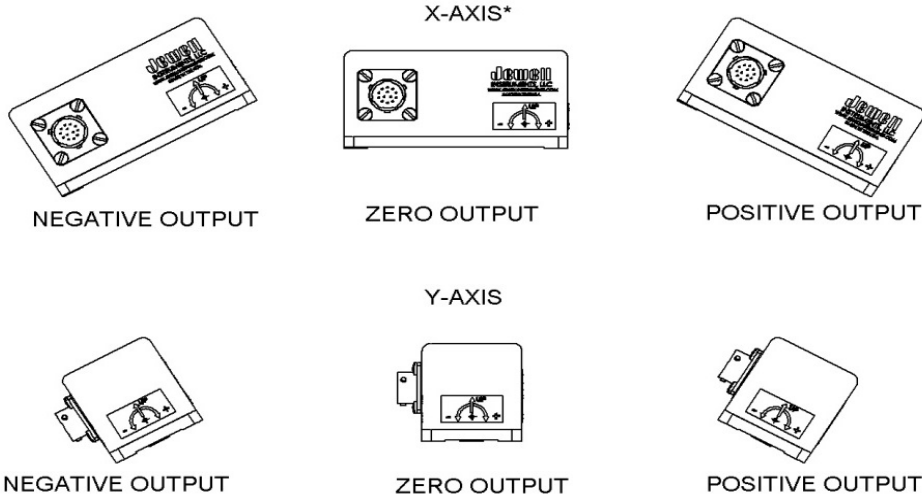
# D750-100/200 Series Tiltmeter RS485 Digital Output



**Jewell  
Instruments**

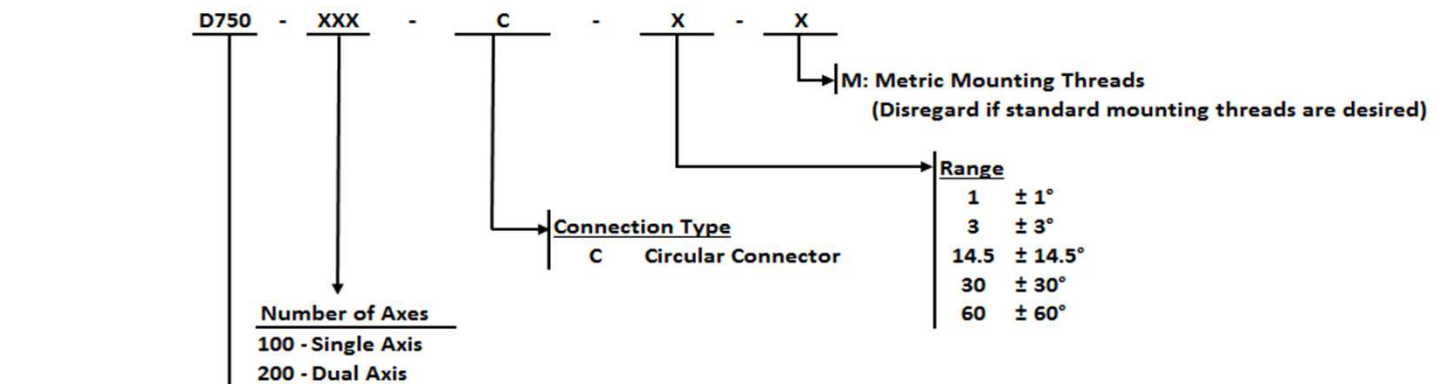
*Making Sense out of Motion...*

## Tilt Configuration



\*SENSITIVE AXIS THIS DIRECTION ONLY

## How to Order



**Series**  
D750 - Damped, Black Diamond Tiltmeter with RS485 Output

**Example:**  
D750-100-C-1-M  
RS485 output, damped, circular connector,  $\pm 1.0^\circ$  range, metric mounting threads

## Accessories

### Mating Connector

Description	Part Number
Standard 13-pin connector	847774-002

### Cable Assemblies\*

Description	Part Number
6 Ft Cable	879605-003
10 Ft Cable	879605-004
2 M Cable	879605-009
3 M Cable	879605-010

\*All cable assemblies come with mating connector

**Jewell Instruments LLC, 850 Perimeter Road, Manchester, NH 03103**  
[sales@jewellinstruments.com](mailto:sales@jewellinstruments.com) • [www.jewellinstruments.com](http://www.jewellinstruments.com) • Tel (800) 227-5955