



D-88427 Bad Schussenried
Thomas Maier
Phone: +49 (0)7583/949-414
Fax: +49 (0)7583/949-399
e-mail: thomas.maier@liebherr.com
www.water-content-measurement.com

Litronic FMS planar sensor type CCS

Physical principle:	Capacity determination with high-frequency-leakage field
Frequency:	20 MHz
Sensor location:	paper-, cardboard-, plastic film-, felt-, fabric webs
Measuring range:	0% - 100% moisture rel (measuring window adjustable) Weight per unit area control system 5 g/m ² ... 25.000 ... 50.000 g/m ² , resolution 0,5 g/m ² ^{1.)} Coating thickness control system 5 µm ... 25mm ... 50mm, resolution 0,5µm ^{1.)}
Capacitance resolution:	3fF
Cycle of up-date:	32,64 ms
Sampling rate:	16-25 10 ⁶
Measured value transmission:	digital: RS485, Multiprocessor protocol, streaming
Max. Number of sensors at the bus:	16/4
Max. cable length:	1,2 km
Micro processor:	AT89C51ED2
Power pack:	8..30V, 0.4 VA
Material temperature:	max. 80°C
Measuring range of temperature:	-10°C – 80°C
Measuring precision measurement of temperature:	±0,5°C
Working – ambient temperature:	5°C - 72°C
Working temperature electronics:	-20°C - 80°C
Storing temperature:	-25°C - 80°C
Protection class:	IP68
Wearing protection:	ZrO ₂ Al ₂ O ₃
Connection cable type:	LIHY12 / TPE11Y 6x0.14 mm ²
Connection cable length:	6 m
Material shell / flange:	1.4305
Weight: Ø / height:	78 / 43 mm (61 mm with cable connection)
Weight without cable:	900 g
Weight clamping flange:	300 g

1.) depending on material

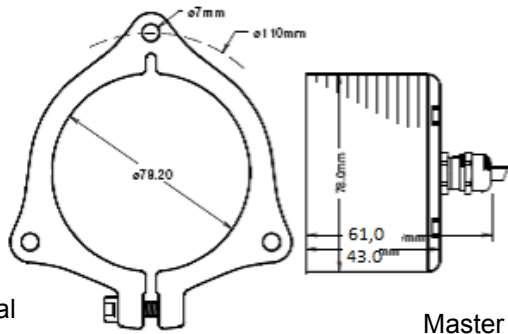
B) FEATURES

- Capacitive measuring method.
- Contactless measuring possible.
- Temperature compensation.
- Digital measured value transfer and recording.
- Up to 4 sensors per electronic module (FMSIII)
(Up to 16 sensors per electronic module (FMSII))
- Stainless steel housing.





D-88427 Bad Schussenried
Thomas Maier
Phone: +49 (0)7583/949-414
Fax: +49 (0)7583/949-399
e-mail: thomas.maier@liebherr.com
www.water-content-measurement.com



Dimensional drawing:

Master gauge:

