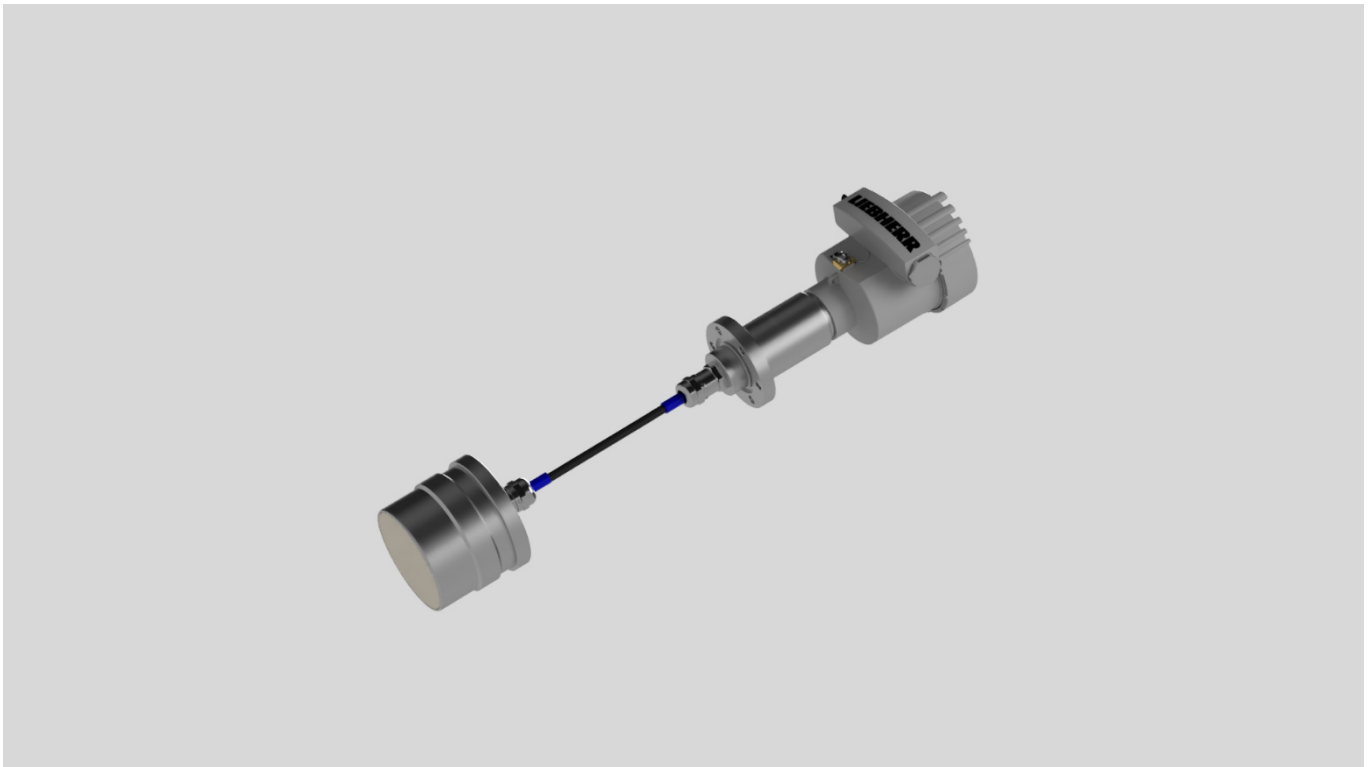


Technical data

Litronic WMS II planar sensor P78-GD



planar sensor P78-GD

Features

- Evaluation of the complex dielectric in the high frequency stray field.
- Freely scalable measuring range.
- Material curve switching.
- Sensor replacement without recalibration.
- Temperature compensation.
- Integrated microprocessor with mean value calculation.
- Limit value analysis.
- Digital measuring value transmission.
- Medium contacted parts 1.4571 (optional 2.4819) and zirkon oxid ceramic ($ZrO_2Al_3O_2$).
- Electronics integrated in transmitter head.
- Transmitter head multiprotocol: 4-20 mA, HART.
- External display in separate housing (accessories).

Technical data planar sensor P78-GD

Physical principle	Capacitance determination in the high-frequency stray field
Sensor location	Chute, belts, silo outlet, tank, etc
Measuring range	0 bis 100 % moisture content
Number of stray fields	1
Frequency	22 MHz
Capacitance resolution	100·10 ⁻¹⁸ F
Cycle of up-date	65,535 ms
Sampling rate	16·10 ⁶ to 25·10 ⁶
Measuring precision maximally	±0,05 % with correct material curve
Measuring precision measurement of temperature	± 0,5 °C
Measured value transmission – Sensor-display unit	Current loop with 4...20 mA for external display (option)
Measured value transmission – Sensor-PLC or central computer	Analog: 4...20 mA aktive at 500 Ohm digital: Hart Modem
Valid measurement	3,75 mA to 21,6 mA (NAMUR)
Error display	<3,6 mA to >22 mA (NAMUR)
Signal resolution interface	16 bit
Max. length of connection cable	1000 m (cable type dependent)
Connection	24 V DC, 150 mA
Medium temperature	-5 °C* to 80 °C (Standard)
Ambient temperature sensor head	5 °C to 80 °C
Ambient temperature transmitter head	5 °C to 70 °C
Storage temperature	-25 °C to 80 °C
Pressure	Use with screwing flange: -1 bar to 1 bar Use with welding flange: -1 bar to 80 bar
Protection class transmitter head	IP 65
Material housing	1.4571 (optional 2.4819)
Material transmitter head	Die-cast aluminium
Housing transmitter head W/H/D	88 mm / 160 mm / 143 mm
Material measuring field/wear protection	Ceramics ZrO ₂ Al ₂ O ₃
Measuring field position	front
Sensor diameter	78 mm
Cable length between sensor and transmitter head	10 m

*under special conditions

Accuracy

The measuring range could be adjusted to the requirements of the user from 0 to 100 % in 1 % steps.
The resolution in crude oil is approx. at 40 parts for 1 % water content.

Measuring range	Resolution	Accuracy
0-1 %	0,025 %	+/- 0,05 %
1-10 %	0,025 %	+/- 0,10 %
10-65 %	0,025 %	+/- 0,50 %
65-90 %	0,025 %	+/- 2,00 %

Remark

A precondition for exact und reproducible results is a well-mixed emulsion with a constant consistence.

Certificates

ATEX:

EU-type examination certificate number: EPS 21 ATEX 1 140 X

DIN EN IEC 60079-0:2018, 60079-1:2014, EN 60079-11:2012, EN 60079-26:2015, EN 60079-31:2014

Gas EX-protection:

II 1/2 G Ex db/ia IIC T4 Ga/Gb

Dust EX-protection:

II 1/2 D Ex tb/ia IIIC T135°C Da/Db

IECEx:

Certificate number: IECEx EPS 21.0047X

IEC 60079-0:2017 Edition: 7.0, IEC 60079-1:2014-06 Edition: 7.0, IEC 60079-11:2011 Edition: 6.0

IEC 60079-26:2014-10 Edition: 3.0, IEC 60079-31:2013 Edition: 2

Gas EX-protection:

Ex db/ia IIC T4 Ga/Gb

Dust EX-protection:

Ex tb/ia IIIC T135°C Da/Db

Further remarks

- The welding process connector for integration in pipe must be provided on site, following the specifications of Liebherr.
- For the water in oil measurement, a factory basic calibration will be done
- A precise technical clarification is absolutely necessary
- The Liebherr address, the Liebherr Logo, as the manufacturer / distributor must always be read in full, so it is not allowed to paste or cover it.

Observe special conditions of use

- For the power supply of the sensor use only a power supply for the relevant device category.
- The cable can only be installed movable if the ambient temperature around is between 5 °C and 70 °C.
- If the cable has to be connected within the potentially explosive area, the cable must have a minimum protection class of IP-6x or another accepted type of protection for that area.
- The allowed sensor head ambient temperature in process is between 5 °C to 80 °C.
- The allowed transmitter head ambient temperature in process is between 5 °C to 70 °C.

Litronic WMS PC-SOFTWARE WIO

For commissioning and service of Litronic WMS II sensors.

Features:

- Operation with standard HART modem and PC (MS-Windows 10).
- Parameterization of the sensors.
- Diagnostic function with display of measuring parts, water content, media Temperature.
- Input of media-specific curves (linear or polynomial up to 3rd order) and offset.
- Curve switching measurement and data recording in file (for import into Microsoft Excel).

Default language of the software and the online help is German and English.

Note: Translation into the local languages are possible.

Liebherr-Mischtechnik GmbH

Im Elchgrund 12, 88427 Bad Schussenried, Germany
Postbox 145, Phone: +49 7583 949-807
www.liebherr.com, E-Mail: mt.lmt@liebherr.com